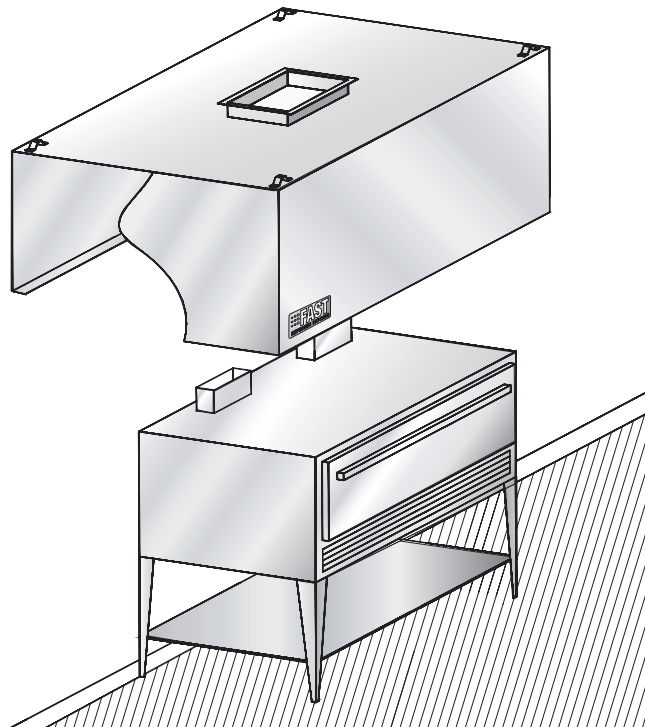


Model **HH****D** Non-filtered hood**Description :**

FAST wall-type or central exhaust hood without filters. Model HH. Suggested for pizza oven, bread oven and toaster oven.

Specifications :

- Constructed of sturdy 18-gauge (1.2 mm) stainless steel
- Up to 16' 0" (4,877 mm) in length
- Easy installation
- Many options available (see reverse)
- Quick delivery

Enclosure panels (optional) :

The space between the top of the hood and the ceiling may be closed with stainless steel panels in the same finish as the hood.

Construction :

Exposed hood surface: type 430 stainless steel (304 or 316 optional) with #4 finish (brushed). Non-exposed hood surface: stainless steel with #2B finish. Minimum 18-gauge (1.2 mm) thickness. All visible welded joints are polished to match original finish. To meet NFPA- 96 requirements.

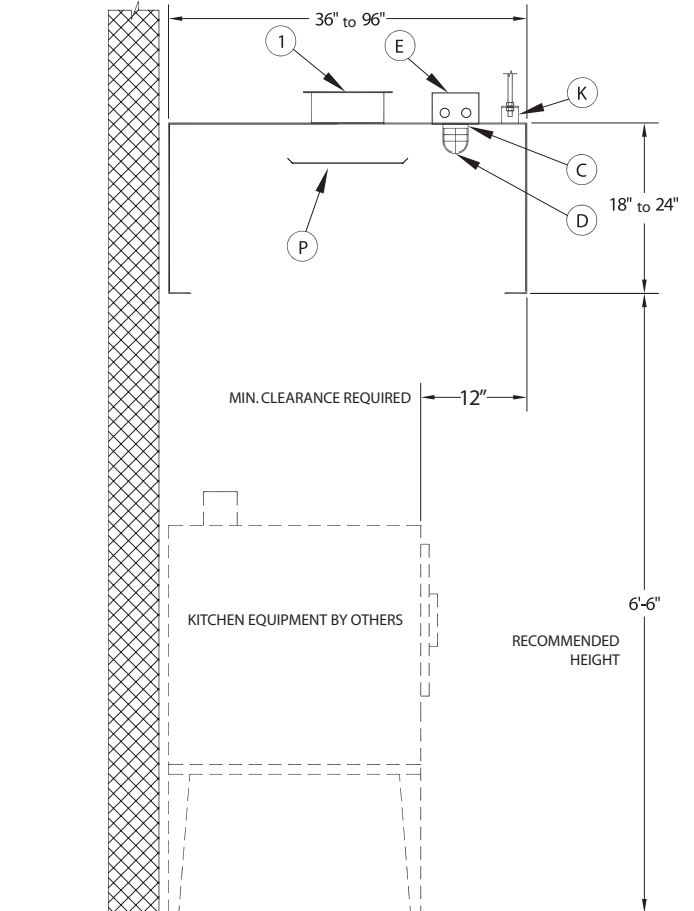
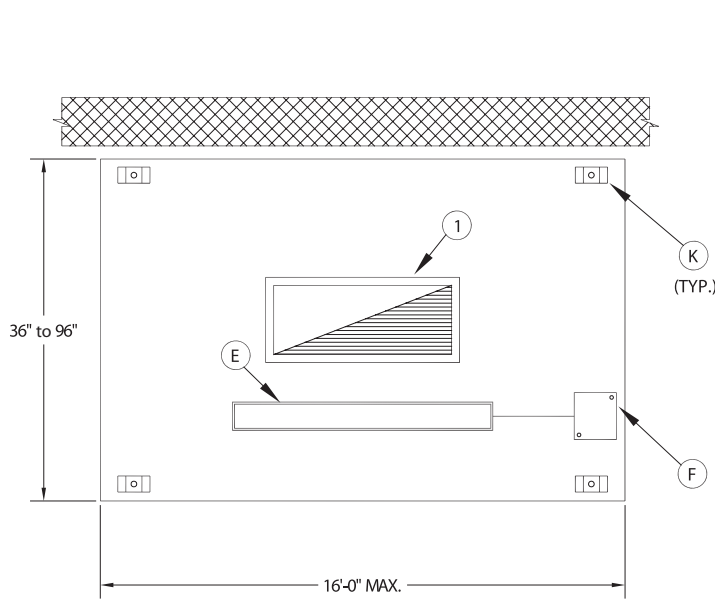
Installation :Suspension (recommended height)

The hood should be installed 6' 6" (1,981 mm) from the floor.

Electrical :

Junction box and pre-wiring for lighting system may be factory installed if required.

D Non-filtered hood

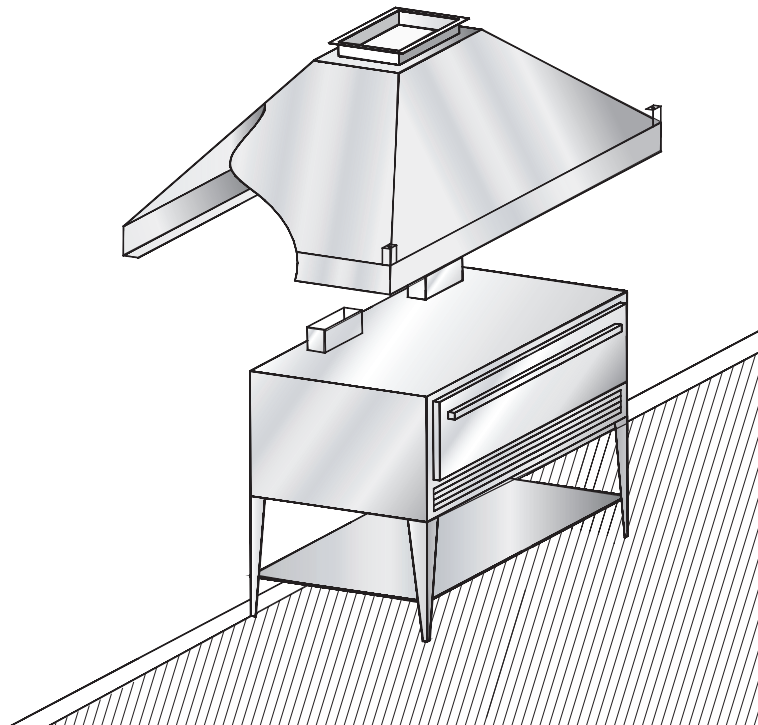


Optional accessories: (see section "K" for details)

A	listed exhaust collar with fire damper
B	listed exhaust collar with balancing damper
C	Incandescent lights (Quantity recommended: (1) light per 5 linear feet of hood)
D	Wire guard for incandescent lights
E	36" or 48" fluorescent lights (Quantity recommended: (1) light per 8 linear feet of hood)
F	Junction box and pre-wiring for lighting
H	Enclosure panels, stainless steel with #4 finish, between hood and ceiling
I	PAC-02 programmable control panel
J	End skirts should be used to maximize hood performance
P	Velocity plate

Accessories included:

1	Exhaust collar (3" high)
K	Hanging brackets

Model **HH-PP****D Non-filtered hood****Description :**

FAST wall-type or central tapered exhaust hood without filters.
Model HH-PP. Suggested for all types of ovens (pizza, bread, toaster) and for laboratories.

Specifications :

- Constructed of sturdy 18-gauge (1.2 mm) stainless steel
- Up to 16' 0" (4,877 mm) in length
- Easy installation
- Many options available (see reverse)
- Quick delivery

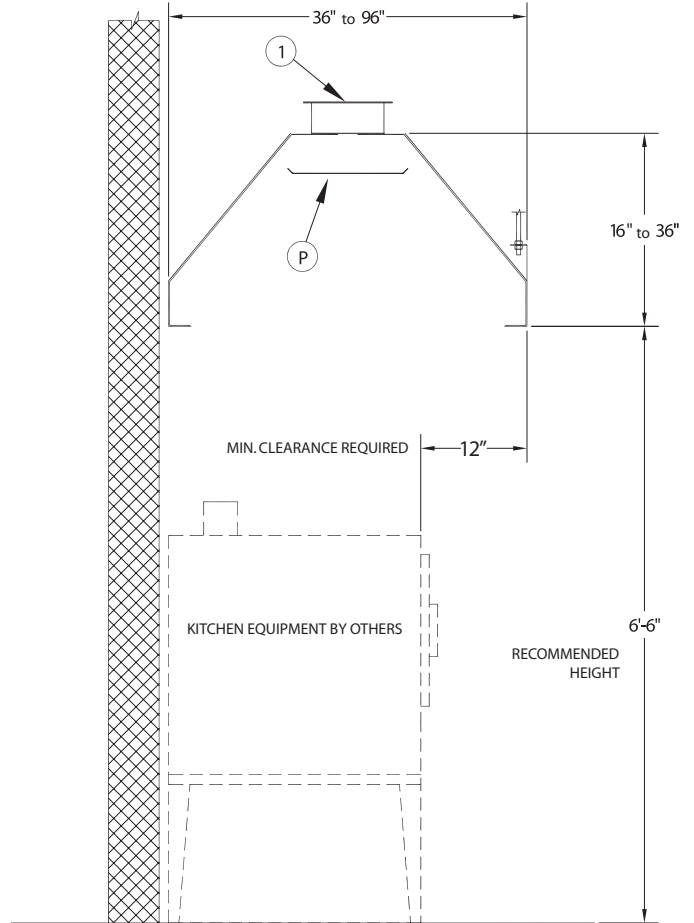
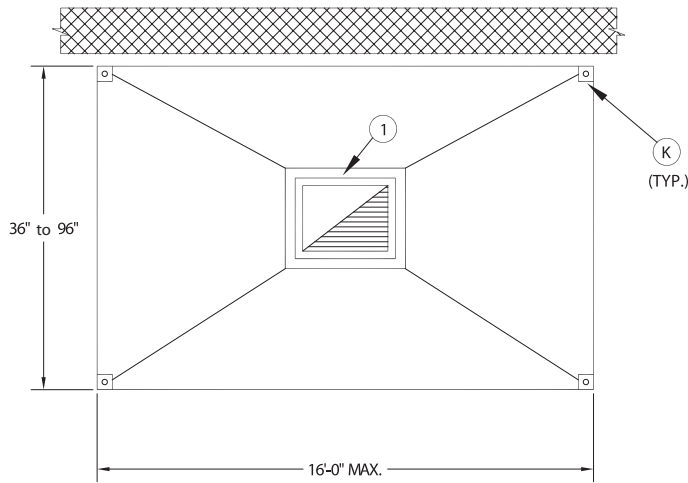
Construction :

Exposed hood surface: type 430 stainless steel (304 or 316 optional) with #4 finish (brushed). Non-exposed hood surface: stainless steel with #2B finish. Minimum 18-gauge (1.2 mm) thickness. All visible welded joints are polished to match original finish. To meet NFPA- 96 requirements.

Installation :Suspension (recommended height)

The hood should be installed 6' 6" (1,981 mm) from the floor.

D Non-filtered hood



Optional accessories: (see section "K" for details)	
A	listed exhaust collar with fire damper
B	listed exhaust collar with balancing damper
I	PAC-02 programmable control panel
J	End skirts should be used to maximize hood performance
P	Velocity plate

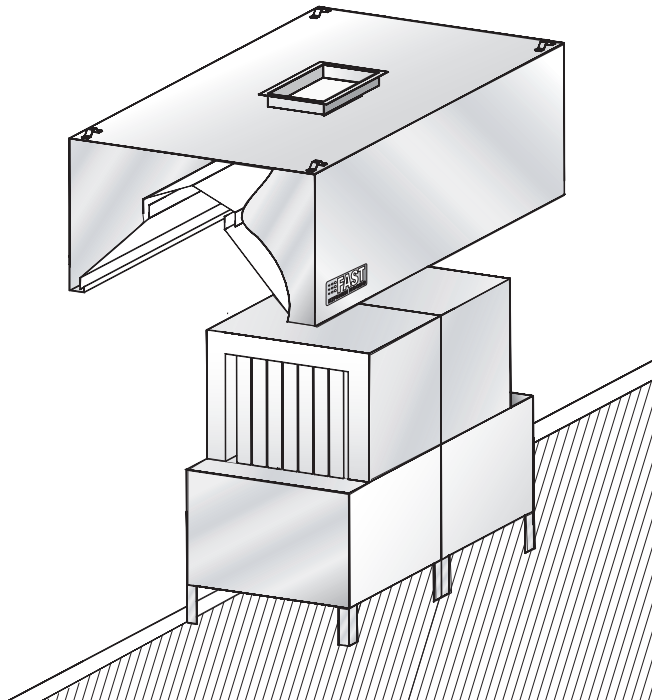
Accessories included:	
1	Exhaust collar (3" high)
K	Hanging brackets



When Time **Matters!**

Model **CH-V**

D Vapor hood



Description :

FAST wall-type or central vapor exhaust hood without filters. Model CH-V.

Specifications :

- Constructed of sturdy 18-gauge (1.2 mm) stainless steel
- Up to 12' 0" (3,660 mm) in length
- Easy installation
- Many options available (see reverse)
- Quick delivery

Construction :

Exposed hood surface: type 430 stainless steel (304 or 316 optional) with #4 finish (brushed). Non-exposed hood surface: stainless steel with #2B finish. Minimum 18-gauge (1.2 mm) thickness. All visible welded joints are polished to match original finish. To meet NFPA- 96 requirements.

Installation :

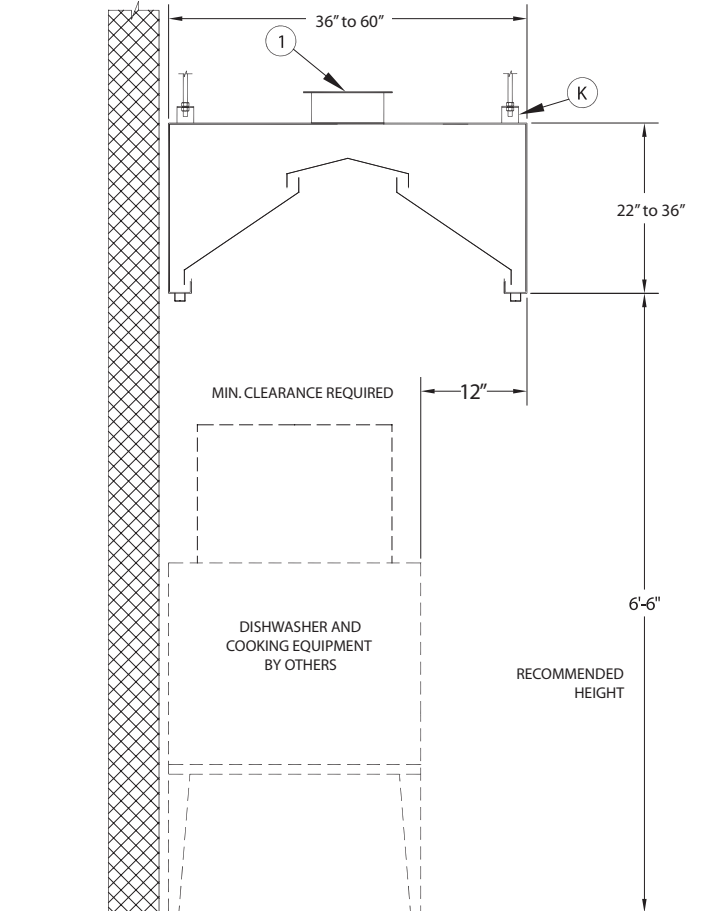
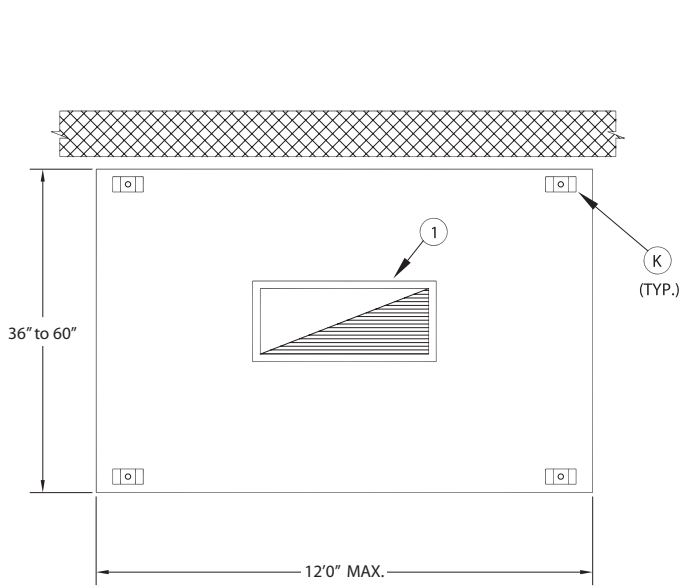
Suspension (recommended height)

The hood should be installed 6' 6" (1,981 mm) from the floor. Hanging brackets are welded at all four corners.

Enclosure panels (optional) :

The space between the top of the hood and the ceiling may be closed with stainless steel panels in the same finish as the hood.

D Vapor hood



Optional accessories: (see section "K" for details)	
A	listed exhaust collar with fire damper
B	listed exhaust collar with balancing damper
H	Enclosure panels, stainless steel with #4 finish, between hood and ceiling
I	PAC-02 programmable control panel
J	End skirts should be used to maximize hood performance

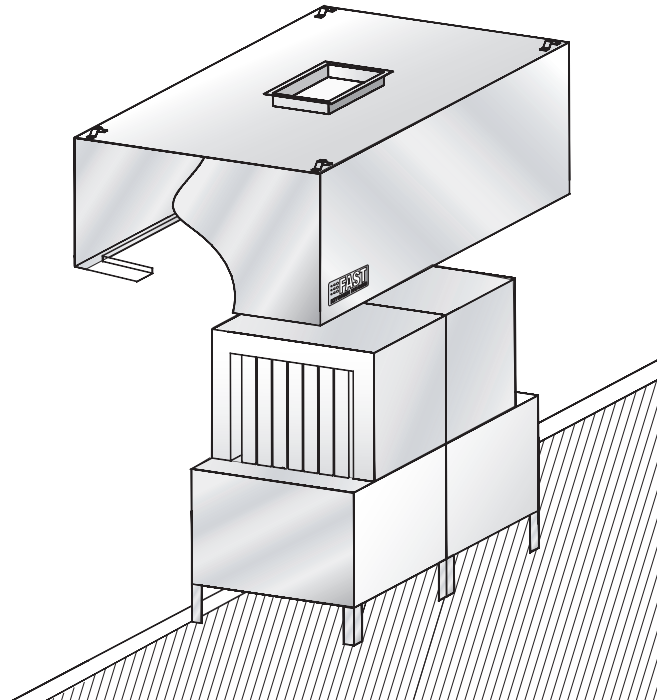
Accessories included:	
1	Exhaust collar (3" high)
K	Hanging brackets



When Time **Matters!**

Model **CH-L**

D Vapor hood



Description :

FAST wall-type or central exhaust hood without filters.
Model CH-L.

Specifications :

- Constructed of sturdy 18-gauge (1.2 mm) stainless steel
- Up to 16' 0" (4,877 mm) in length
- Easy installation
- Many options available (see reverse)
- Quick delivery

Enclosure panels (optional) :

The space between the top of the hood and the ceiling may be closed with stainless steel panels in the same finish as the hood.

Construction :

Exposed hood surface: type 430 stainless steel (304 or 316 optional) with #4 finish (brushed). Non-exposed hood surface: stainless steel with #2B finish. Minimum 18-gauge (1.2 mm) thickness. All visible welded joints are polished to match original finish. To meet NFPA- 96 requirements.

Installation :

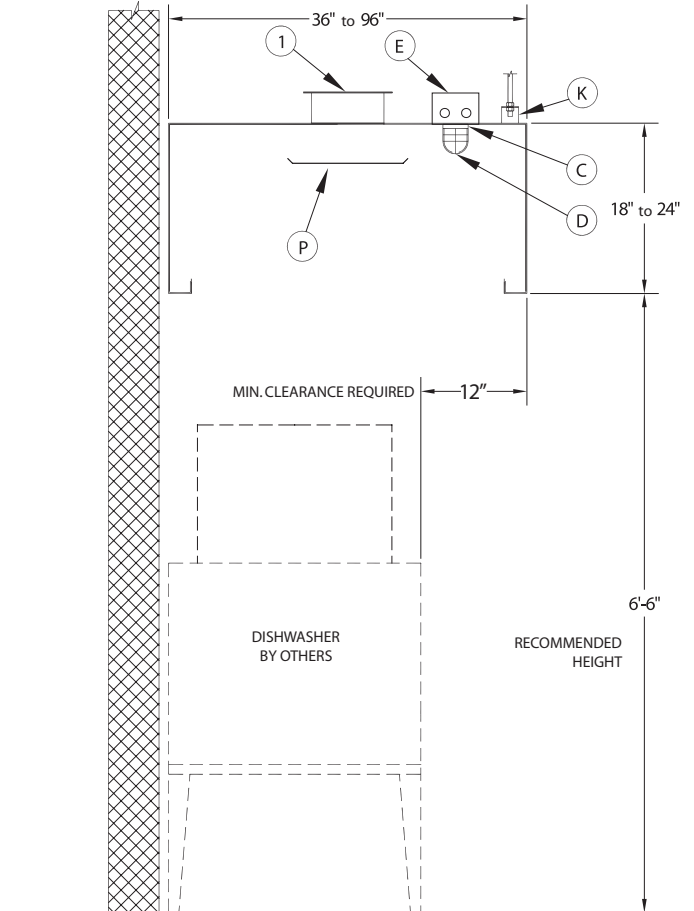
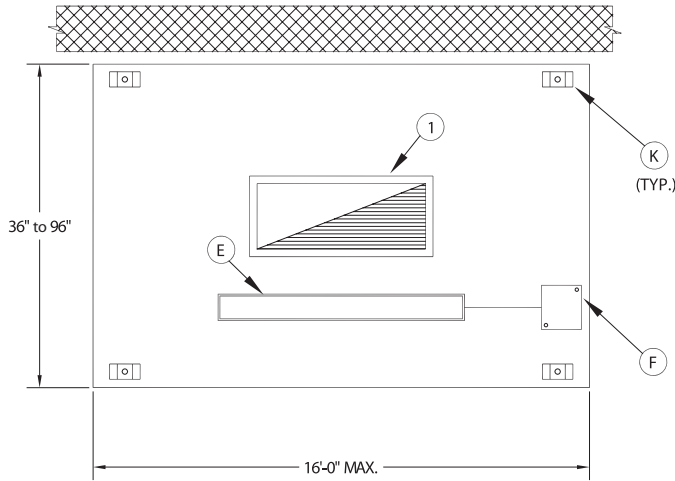
Suspension (recommended height)

The hood should be installed 6' 6" (1,981 mm) from the floor. Hanging brackets are welded at all four corners.

Electrical :

Junction box and pre-wiring for lighting system may be factory installed if required.

D Vapor hood

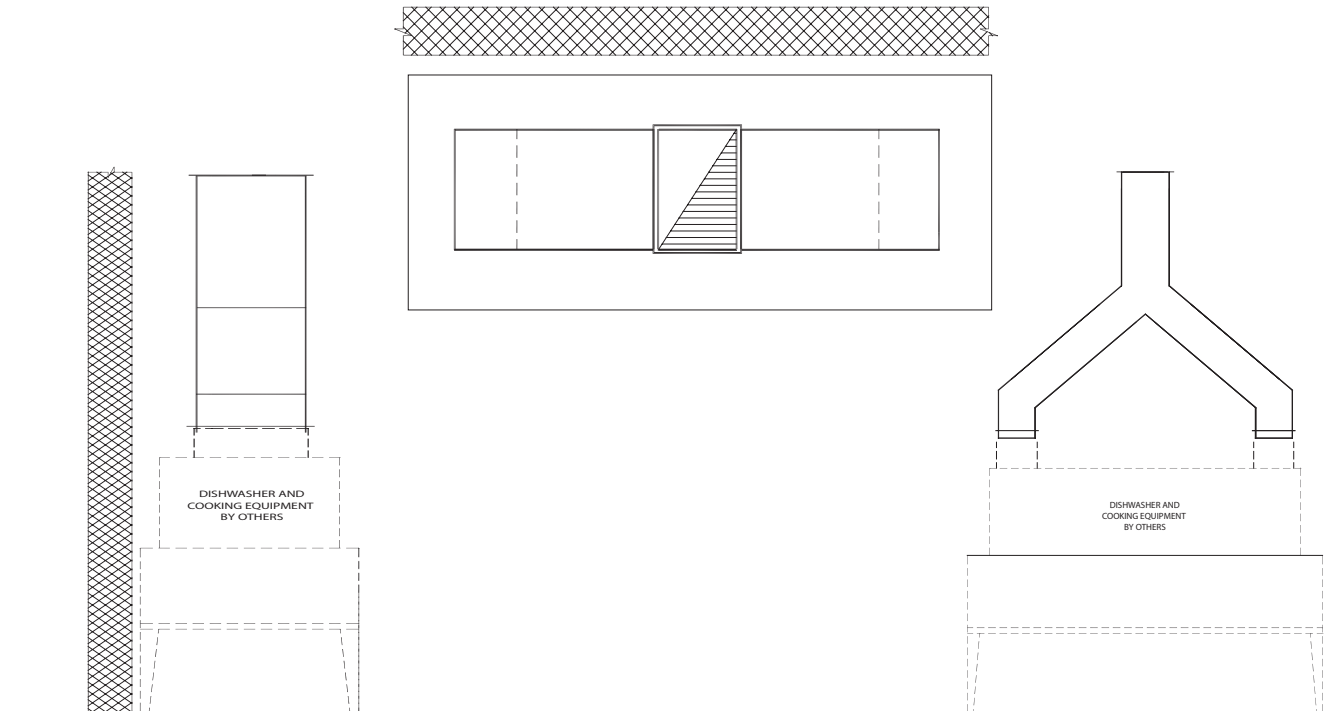


Optional accessories: (see section "K" for details)

A	listed exhaust collar with fire damper
B	listed exhaust collar with balancing damper
C	Incandescent lights (Quantity recommended: (1) light per 5 linear feet of hood)
D	Wire guard for incandescent lights
E	36" or 48" fluorescent lights (Quantity recommended: (1) light per 8 linear feet of hood)
F	Junction box and pre-wiring for lighting
H	Enclosure panels, stainless steel with #4 finish, between hood and ceiling
I	PAC-02 programmable control panel
J	End skirts should be used to maximize hood performance
P	Velocity plate

Accessories included:

1	Exhaust collar (3" high)
K	Hanging brackets

Model **CH-PL****D Vapor hood****Description :**

FAST exhaust hood without filters that provides containment at source. Suggested for dishwashers. Model CH-PL.

Specifications :

- Constructed of sturdy 18-gauge (1.2 mm) stainless steel
- Length available as required by dishwasher manufacturer
- Easy installation
- Quick delivery

Construction :

Exposed hood surface: type 304 stainless steel with #4 finish (brushed). All visible welded joints are polished to match original finish.

Installation :

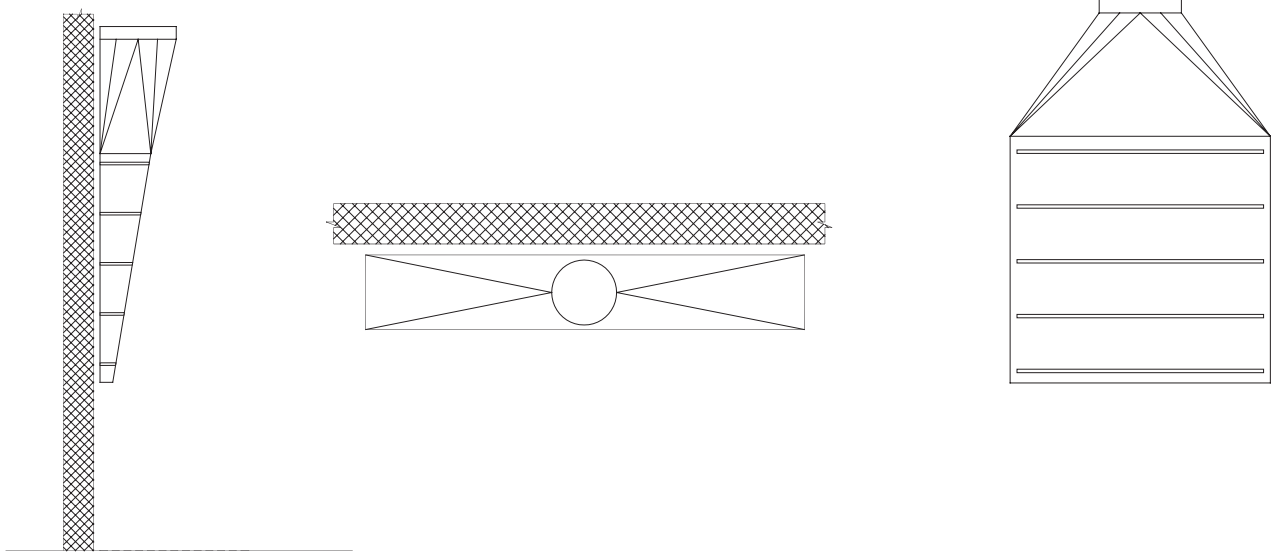
Directly on the dishwasher.



When Time **Matters!**

Model **LAB STH**

D Slot-type hood



Description :

FAST slot-type exhaust hood without filters.
Model LAB STH. Suggested for laboratories.

Specifications :

- Constructed of sturdy 18-gauge (1.2 mm) stainless steel
- Up to 16' 0" (4,877 mm) in length
- Easy installation
- Quick delivery

Construction :

Exposed hood surface: type 304 stainless steel with #4 finish (brushed).
All visible welded joints are polished to match original finish.

Options :

- Adjustable slots
- End skirt panels on each side of the hood